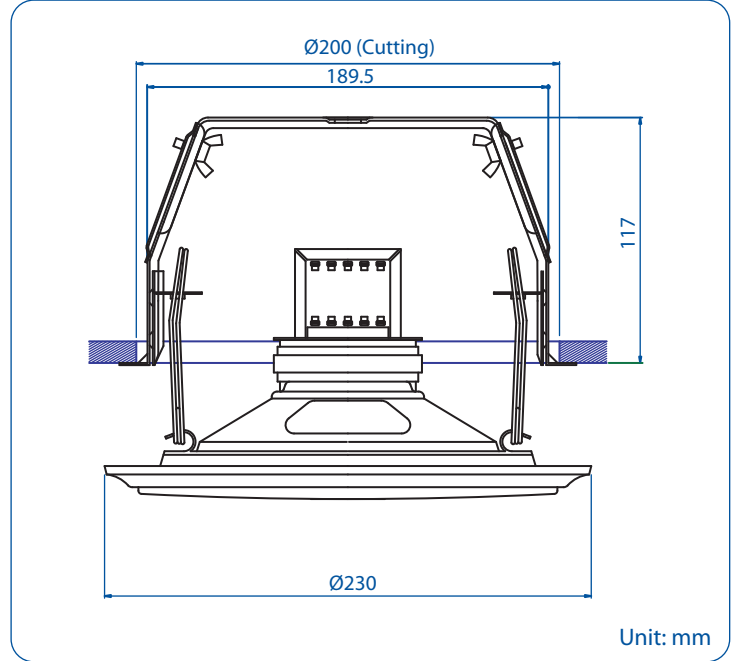




QCM-6061

Quick-Mount Ceiling Loudspeaker



- 100 Hours Life Tested
- CE Certified (EMC & LVD)
- IP Rated
- Rustproof
- UL94V0
- BS 5839 Part 8
- EASE Data
- RoHS Compliance
- UV Protected
- Withstanding/Insulation Tested

- ▶ Shares generic low profile grille design & simple fit system throughout entire QCM series.
- ▶ Fitted with a 6.5" twin cone driver unit. Designed to offer wide response for music & speech.
- ▶ 6 watt transformer with multi tapings down to 0.75W (100V) & 0.375W (70V).
- ▶ Built-in ceiling tile cutout marker.
- ▶ Dished grille design for acoustic integrity.
- ▶ Galvanized steel construction, finished in brilliant white (RAL 9003).

Model No.	QCM-6061
Rated Power (rms)	6W
Impedance	1.67kΩ, 3.33kΩ, 6.67kΩ & 13.33kΩ
Power Taps @ 100V	6W, 3W, 1.5W & 0.75W
Power Taps @ 70V	3W, 1.5W, 0.75W & 0.375W
SPL (1W / 1M)	93 dB
Max. SPL (Rated 6W / 1M)	100 dB
Frequency Range (-10dB)	100 Hz ~ 20K Hz
Dispersion 1K Hz / 4K Hz	120° / 90°
Ambient Temperature	-30°C ~+ 60°C
Power Selection	Plug
Material	Baffle: Steel, Grille: Steel
Colour / Finish	White (RAL 9003)
Dimensions	230 (9.06) Dia. X 121 (4.76) Height mm. (in.)
Cutout Size	200 (7.87) Dia. mm. (in.)
Net Weight (ea)	1.4 kgs (3.09 lbs)
Mounting	Spring loaded Quick-Mount Bracket Assembly